

HITACHI

ZX690LC-7 | Preliminary ZAXIS-7 series

Reliable Solutions



ZAXIS 690

HYDRAULIC EXCAVATOR

Model code: ZX690LC-7H

Engine rated power, net: 465 hp (347 kW)

Operating weight: 152,340–152,780 lb. (69,100–69,300 kg)

Bucket capacity: 3.8–5.2 yd³ (2.9–4.0 m³)

SPECIFICATIONS

ENGINE	
Model	Isuzu 6WG1
Type	4-cycle water-cooled, common rail direct injection
Aspiration	Variable geometry turbocharged, intercooled, cooled EGR
Aftertreatment	DOC + SCR system
No. of cylinders	6
Rated power	
ISO 14396: 2002 gross	467 hp (348 kW) at 1,800 min ⁻¹
ISO 9249: 2007 net	465 hp (347 kW) at 1,800 min ⁻¹
Maximum torque	1 460 lbf (1,980 Nm) at 1,500 min ⁻¹
Piston displacement	956.917 cu .in. (15.681 L)
Bore and stroke	5.8" x 6.1" (147 mm x 154 mm)
Batteries	2 x 12 V / 147 Ah

HYDRAULIC SYSTEM			
Hydraulic Pumps			
Main pumps	2 variable displacement axial piston pumps		
Maximum oil flow	2 x 129 gal/min (489 L/min)		
Pilot pump	1 gear pump		
Maximum oil flow	13.2 gal/min (50.0 L/min)		
Hydraulic Motors			
Travel	2 axial piston motors with parking brake		
Swing	2 axial piston motors		
Relief Valve Settings			
Implement circuit	4,626.7 psi (31.9 MPa)		
Swing circuit	4,264.1 psi (29.4 MPa)		
Travel circuit	4,974.8 psi (34.3 MPa)		
Pilot circuit	565.6 psi (3.9 MPa)		
Power boost	4,974.8 psi (34.3 MPa)		
Hydraulic Cylinders			
	Quantity	Bore	Rod diameter
Boom	2	7.5" (190 mm)	5.1" (130 mm)
Arm	1	7.9" (200 mm)	5.5" (140 mm)
Bucket	1	7.1" (180 mm)	5.1" (130 mm)

UPPERSTRUCTURE	
Revolving Frame	
D-section frame for resistance to deformation.	
Swing Device	
Axial piston motor with planetary reduction gear is bathed in oil. Swing parking brake is spring-set/hydraulic-released disc type.	
Swing speed	9.0 min ⁻¹
Swing torque	143,086 lbf (194.0 kNm)

UNDERCARRIAGE	
Tracks	
Track shoes with triple grousers made of induction-hardened rolled alloy. Heat-treated connecting pins with dirt seals. Hydraulic (grease) track adjusters with shock-absorbing recoil springs.	
Numbers of Rollers and Shoes on Each Side	
Upper rollers	3
Lower rollers	8
Track shoes	47
Track guards	2
Travel Device	
Each track driven by axial piston motor through reduction gear for counterrotation of the tracks. Parking brake is spring-set/hydraulic-released disc type. Automatic transmission system: High-Low.	
Travel speeds	High: 0 to 3.1 mph (0 to 5.0 km/h) Low: 0 to 2.1 mph (0 to 3.4 km/h)
Maximum traction force	109,257 lbf (486 kN)
Gradeability	70% (35 degree) continuous

SERVICE REFILL CAPACITIES	
Fuel tank	237.6 gal (900.0 L)
Engine coolant	23.8 gal (90.0 L)
Engine oil	16.4 gal (62.0 L)
Pump drive	1.6 gal (6.2 L)
Swing device (each side)	2.8 gal (10.5 L)
Travel device (each side)	3.6 gal (13.5 L)
Hydraulic system	198.0 gal (750.0 L)
Hydraulic oil tank	100.3 gal (380.0 L)
DEF/AdBlue® tank	25.1 gal (95.0 L)

ENVIRONMENT	
Engine Emissions	EPA Final Tier 4 / EU Stage IV
Sounds Level	
Sound level in cab according to ISO 6396: 2008	LpA 74 dB(A)
External sound level according to ISO 6395: 2008 and EU Directive 2000/14/EC	LwA 108 dB(A)

WEIGHTS AND GROUND PRESSURE

ZX690LC-7H

Bucket Capacity	Boom type	Arm type	Shoe grouser type	Shoe width	Operating weight	Ground pressure
ISO7451: 2007 heaped, yd ³ (m ³)	ft-in (m)	ft-in (m)		in (mm)	lb (kg)	psi (kPa)
3.8 (2.9) Rock bucket	25' 7" (7.8) H	11' 10" (3.6)	Double	35" (900)	152,340 (69,100)	11.02 (76)
		13' 9" (4.2)	Double	35" (900)	152,780 (69,300)	11.02 (76)

BUCKET AND ARM DIGGING FORCE

Unit: lbf (kN)

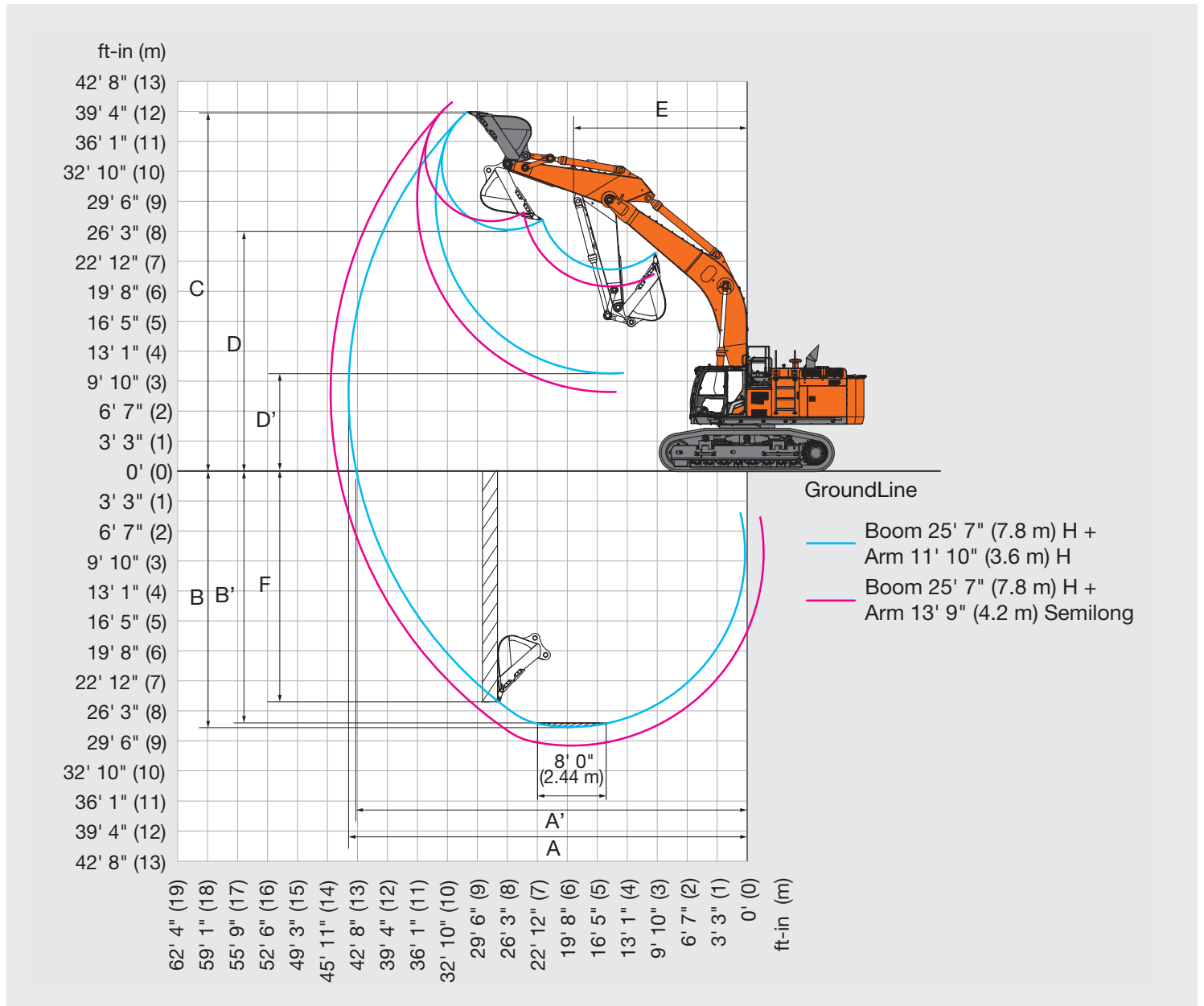
	ZX690LC-7H	
	Boom 25' 7" (7.8 m) H	Boom 25' 7" (7.8 m) H
Boom length	Boom 25' 7" (7.8 m) H	Boom 25' 7" (7.8 m) H
Arm length	Arm 11' 10" (3.6 m) H	Arm 13' 9" (4.2 m) Semilong
Bucket digging force* ISO 6015: 2006	72,838 (324)	72,838 (324)
Arm crowd force* ISO 6015: 2006	57,326 (255)	51,931 (231)

* At power boost

SPECIFICATIONS

ZX690LC-7H

WORKING RANGES

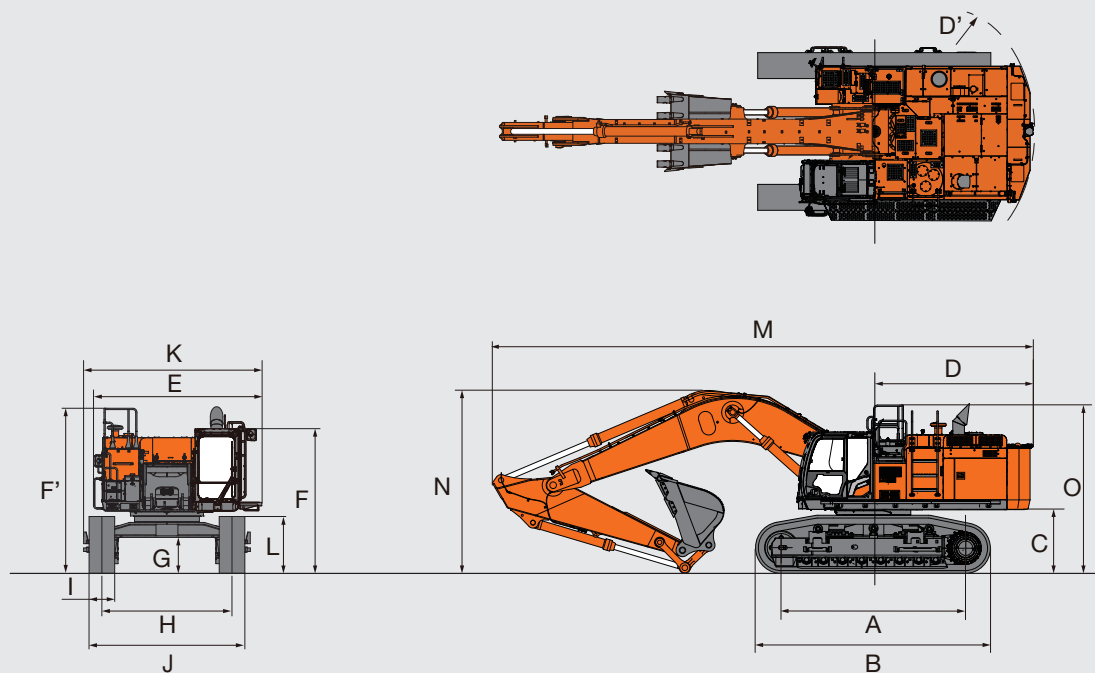


Unit: ft-in (mm)

	ZX690LC-7H	
Boom length	Boom 25' 7" (7.8 m) H	Boom 25' 7" (7.8 m) H
Arm length	Arm 11' 10" (3.6 m) H	Arm 13' 9" (4.2 m) Semilong
A Max. digging reach	43' 7" (13,280)	45' 6" (13,880)
A' Max. digging reach (on ground)	42' 9" (13,030)	44' 9" (13,630)
B Max. digging depth	28' 1" (8,560)	30' 1" (9,180)
B' Max. digging depth for 8' 0" (2.44 m) level	27' 7" (8,420)	29' 9" (9,060)
C Max. cutting height	39' 2" (11,940)	40' 3" (12,260)
D Max. dumping height	26' 4" (8,020)	27' 3" (8,300)
D' Min. dumping height	10' 7" (3,230)	8' 7" (2,610)
E Min. swing radius	18' 12" (5,780)	18' 11" (5,760)
F Max. vertical wall digging depth	25' 4" (7,720)	27' 11" (8,510)

Excluding track shoe lug

DIMENSIONS



Unit: ft-in (mm)

	ZX690LC-7H ²
A	Distance between tumblers 15' 1" (4,590)
B	Undercarriage length 19' 2" (5,840)
^{*1} C	Counterweight clearance 5' 1" (1,540)
D	Rear-end swing radius 13' 2" (4,020)
D'	Rear-end length 13' 1" (3,980)
E	Overall width of upperstructure 13' 5" (4,090)
F	Overall height of cab 12' 0" (3,660)
^{*1} G	Min. ground clearance 2' 10" (860)
H	Track gauge: Extended / Retracted 10' 10" (3,300) / 9' 3" (2,830)
I	Track shoe width G 2' 11" (900)
J	Undercarriage width: Extended / Retracted 13' 9" (4,200)/12' 3" (3,730)
K	Overall width 14' 4" (4,360)
^{*1} L	Track height with triple grouser shoes 4' 9" (1,440)
M	Overall length 44' 0" (13,400)
N	Overall height of boom 16' 4" (4,980)
O	Overall height of base machine 13' 11" (4,230)

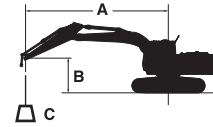
^{*1} Excluding track shoe lug^{*2} Equipped with Boom 25' 7" (7.8 m) H and Arm 13' 9" (4.2 m) Semilong

G: Double grouser shoe

MACHINE CAPACITIES

ZX690LC-7H

- Notes:
1. Ratings are based on ISO 10567: 2007.
 2. Machine capacity does not exceed 75% of tipping load with the machine on firm, level ground or 87% full hydraulic capacity.
 3. The load point is the center-line of the bucket pivot mounting pin on the arm.
 4. *Indicates load limited by hydraulic capacity.
 5. 0 ft (0 m) = Ground.
 6. Each machine capacities values are applicable when selecting optional attachment basic piping and hose rupture valve for boom and arm.



- A: Load radius
- B: Load point height
- C: Machine capacity

For machine capacities, subtract installed attachment and quick hitch weight from machine capacities.
To determine lifting capacities, apply "Rating over-side or 360 degrees" machine capacities from the table and deduct weight of installed attachment and quick hitch. Optional feature may affect machine performance.

ZX690LC-7H

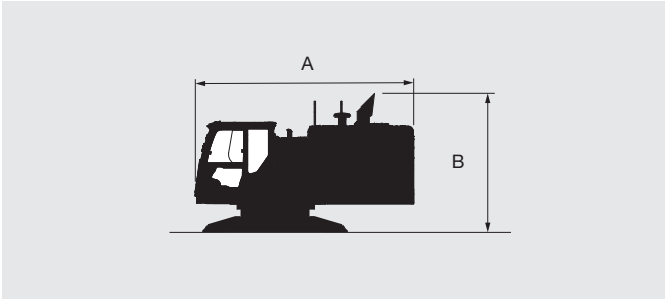
Rating over-front Rating over-side or 360 degrees Unit: lb (kg)

Conditions	Load point height ft (m)	Load radius												At max. reach		
		10 ft (3.0 m)		15 ft (4.5 m)		20 ft (6.0 m)		25 ft (7.5 m)		30 ft (9.0 m)		35 ft (10.5 m)		ft-in (meter)		
Boom 25' 7" (7.8 m) H Arm 11' 10" (3.6 m) H Counter-weight 22,928 (10,400 kg)	25' (7.5)									30,000* (13,590)*	30,000* (13,590)*			22,500* (10,180)*	22,500* (10,180)*	32' 7" (9.92)
	20' (6.0)							34,800* (15,750)*	34,800* (15,750)*	31,500* (14,260)*	30,700 (13,890)	23,600* (10,690)*	23,600* (10,690)*	22,600* (10,220)*	22,600* (10,220)*	34' 7" (10.54)
	15' (4.5)					47,800* (21,640)*	47,800* (21,640)*	38,700* (17,550)*	38,700* (17,550)*	33,700* (15,260)*	29,700 (13,460)	30,700* (13,900)*	23,400 (10,580)	23,200* (10,500)*	21,900 (9,910)	35' 10" (10.92)
	10' (3.0)					54,700* (24,790)*	51,300 (23,230)	42,800* (19,370)*	37,300 (16,900)	36,000* (16,320)*	28,700 (13,000)	31,500 (14,260)	22,800 (10,330)	24,400* (11,050)*	21,000 (9,500)	36' 4" (11.08)
	5' (1.5)					59,300* (26,860)*	49,100 (22,240)	45,900* (20,800)*	35,900 (16,250)	38,000* (17,220)*	27,800 (12,590)	31,000 (14,020)	22,300 (10,100)	26,300* (11,910)*	20,800 (9,390)	36' 3" (11.04)
	0 (Ground)			36,700* (16,620)*	36,700* (16,620)*	60,900* (27,600)*	48,000 (21,740)	47,600* (21,580)*	34,900 (15,830)	38,100 (17,270)	27,200 (12,310)	30,600 (13,860)	22,000 (9,950)	29,200* (13,240)*	21,200 (9,590)	35' 4" (10.78)
	-5' (-1.5)			55,900* (25,340)*	55,900* (25,340)*	60,100* (27,220)*	47,600 (21,580)	47,600* (21,580)*	34,500 (15,640)	37,800 (17,120)	26,900 (12,170)			31,300 (14,190)	22,500 (10,170)	33' 10" (10.30)
	-10' (-3.0)	54,200* (24,560)*	54,200* (24,560)*	72,400* (32,800)*	72,400* (32,800)*	56,900* (25,780)*	47,800 (21,680)	45,600* (20,650)*	34,600 (15,660)	36,900* (16,710)*	27,000 (12,210)			33,800* (15,300)*	25,000 (11,310)	31' 4" (9.55)
-15' (-4.5)	79,000* (35,800)*	79,000* (35,800)*	63,600* (28,810)*	63,600* (28,810)*	50,800* (23,000)*	48,600 (22,010)	40,500* (18,350)*	35,100 (15,910)					34,100* (15,440)*	29,900 (13,520)	27' 10" (8.48)	
-20' (-6.0)			49,500* (22,430)*	49,500* (22,430)*	39,400* (17,860)*	39,400* (17,860)*							32,900* (14,880)*	32,900* (14,880)*	22' 8" (6.92)	
Boom 25' 7" (7.8 m) H Arm 13' 9" (4.2 m) Semilong Counter-weight 22,928 (10,400 kg)	25' (7.5)									27,800* (12,580)*	27,800* (12,580)*	20,500* (9,260)*	20,500* (9,260)*	19,100* (8,620)*	19,100* (8,620)*	34' 9" (10.59)
	20' (6.0)									29,500* (13,370)*	29,500* (13,370)*	27,900* (12,650)*	24,100 (10,900)	19,100* (8,630)*	19,100* (8,630)*	36' 8" (11.17)
	15' (4.5)					44,200* (20,010)*	44,200* (20,010)*	36,400* (16,490)*	36,400* (16,490)*	31,900* (14,460)*	30,000 (13,570)	29,200* (13,200)*	23,500 (10,650)	19,500* (8,830)*	19,500* (8,830)*	37' 10" (11.53)
	10' (3.0)					51,600* (23,400)*	51,600* (23,400)*	40,700* (18,450)*	37,700 (17,070)	34,500* (15,630)*	28,900 (13,070)	30,600* (13,870)*	22,900 (10,360)	20,400* (9,220)*	19,300 (8,750)	38' 4" (11.68)
	5' (1.5)					57,200* (25,930)*	49,500 (22,450)	44,300* (20,100)*	36,100 (16,340)	36,800* (16,680)*	27,900 (12,610)	30,900 (14,010)	22,300 (10,080)	21,800* (9,850)*	19,100 (8,640)	38' 2" (11.64)
	0 (Ground)			39,200* (17,750)*	39,200* (17,750)*	60,100* (27,220)*	48,000 (21,760)	46,700* (21,170)*	34,900 (15,820)	38,100 (17,240)	27,100 (12,260)	30,400 (13,780)	21,800 (9,870)	23,900* (10,810)*	19,400 (8,790)	37' 5" (11.40)
	-5' (-1.5)	31,100* (14,070)*	31,100* (14,070)*	52,900* (23,950)*	52,900* (23,950)*	60,300* (27,350)*	47,300 (21,450)	47,400* (21,510)*	34,300 (15,540)	37,600 (17,010)	26,600 (12,060)	30,200 (13,670)	21,600 (9,760)	27,100* (12,270)*	20,400 (9,240)	35' 11" (10.94)
	-10' (-3.0)	47,700* (21,620)*	47,700* (21,620)*	72,000* (32,630)*	72,000* (32,630)*	58,300* (26,400)*	47,300 (21,440)	46,300* (20,990)*	34,200 (15,470)	37,500 (16,970)	26,500 (12,020)			31,300 (14,190)	22,400 (10,140)	33' 7" (10.24)
-15' (-4.5)	67,600* (30,630)*	67,600* (30,630)*	68,400* (31,000)*	68,400* (31,000)*	53,500* (24,240)*	47,800 (21,670)	42,700* (19,350)*	34,500 (15,620)	33,800* (15,310)*	26,900 (12,200)			32,200* (14,600)*	26,000 (11,790)	30' 4" (9.25)	
-20' (-6.0)			56,500* (25,620)*	56,500* (25,620)*	44,700* (20,250)*	44,700* (20,250)*	34,500* (15,640)*	34,500* (15,640)*					32,000* (14,500)*	32,000* (14,500)*	25' 9" (7.85)	

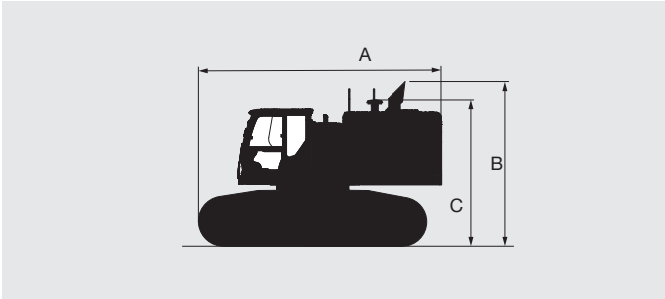
TRANSPORTATION

ZX690LC-7H

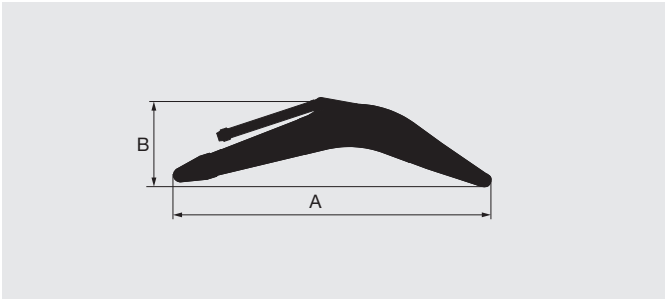
UPPERSTRUCTURE



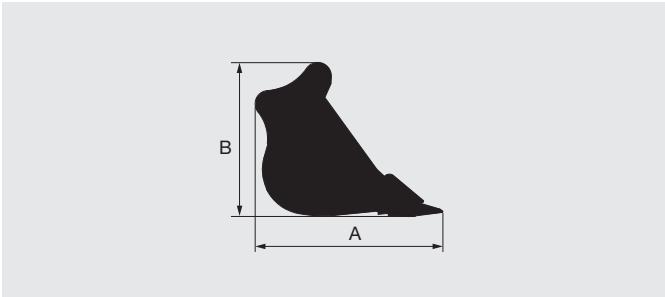
BASIC MACHINE (WITHOUT COUNTERWEIGHT)



BOOM

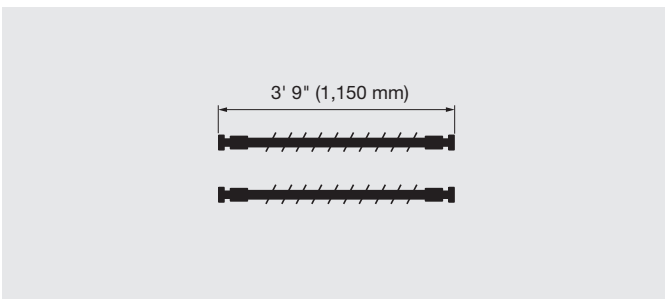


BUCKET

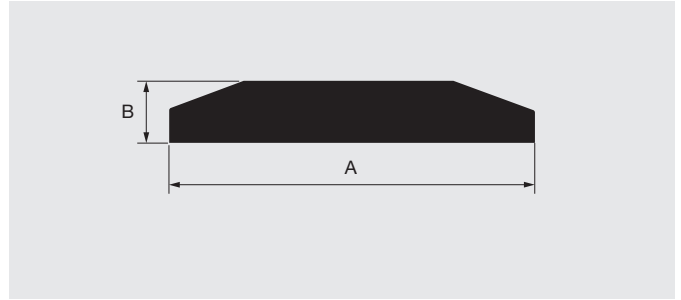


HOSE OF BOOM CYLINDERS

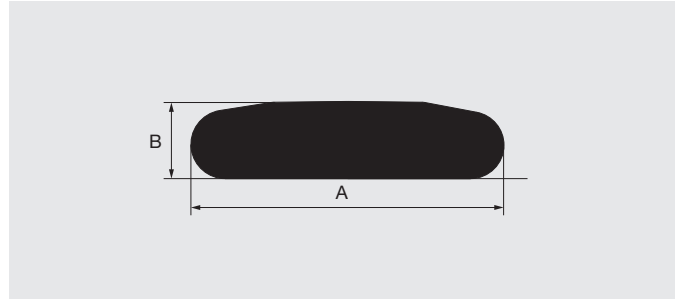
15 lb (7 kg) X 2 / 22 lb (10 kg) X 2



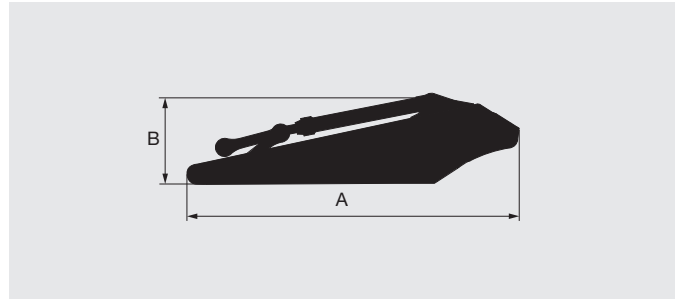
COUNTERWEIGHT



SIDE FRAME

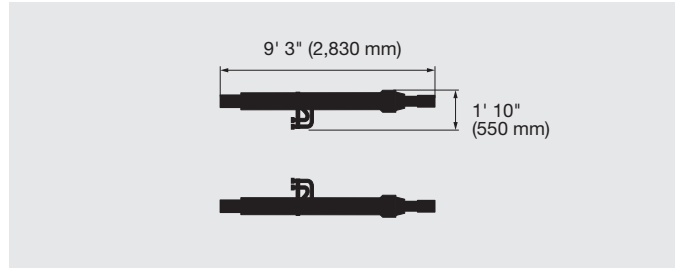


ARM



BOOM CYLINDERS 1,213 lbs (550 kg) X 2

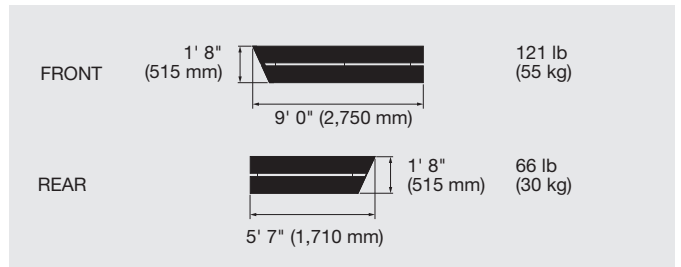
Overall height: 1' 3" (380 mm)



LEFT SIDEWALK

Overall height FRONT: 0' 8" (195 mm) /

REAR: 0' 6" (150 mm)



UPPERSTRUCTURE

A ft-in (mm)	B ft-in (mm)	Overall width ft-in (mm)	Weight lb (kg)
17' 1" (5,210)	10' 11" (3,320)	11' 3" (3,420)	49,869 (22,620)

COUNTERWEIGHT

A ft-in (mm)	B ft-in (mm)	Overall width ft-in (mm)	Weight lb (kg)
11' 0" (3,360)	2' 0" (616)	5' 5" (1,660)	22,928 (10,400) 21,605 (9,800)* ¹

*¹ With counterweight removal system

BASIC MACHINE (WITHOUT COUNTERWEIGHT)

Shoe width inch (mm)	A ft-in (mm)	B ft-in (mm)	C ¹ ft-in (mm)	Overall width ² ft-in (mm)	Weight lb (kg)
35" (900)	20' 6" (6,240)	13' 11" (4,239)	12' 4" (3,760)	12' 3" (3,730)	99,627 (45,190)

*¹ Without exhaust funnel

*² Undercarriage retracted

SIDE FRAME

Shoe width inch (mm)	A ft-in (mm)	B ft-in (mm)	Overall width ft-in (mm)	Weight lb (kg)
35" (900)	19' 2" (5,850)	4' 9" (1,450)	4' 4" (1,320)	31,636 (14,350)

BOOM

Boom length ft-in (mm)	A ft-in (mm)	B ft-in (mm)	Overall width ft-in (mm)	Weight lb (kg)
25' 7" (7.8) H	26' 8" (8,130)	7' 8" (2,330)	4' 7.2" (1,390)	14,220 (6,450)

ARM

Arm length ft-in (mm)	A ft-in (mm)	B ft-in (mm)	Overall width ft-in (mm)	Weight lb (kg)
11' 10" (3.6) H	16' 9" (5,110)	4' 8" (1,430)	2' 7" (790)	8,025 (3,640)
13' 9" (4.2) Semilong	18' 9" (5,710)	4' 7" (1,390)	2' 7" (800)	8,508 (3,859)

BUCKET

Bucket	Capacity, yd ³ (m ³) ISO 7451: 2007 heaped	A ft-in (mm)	B ft-in (mm)	Overall width ft-in (mm)	Weight lb (kg)
Rock bucket	3.8 (2.9)	7' 6" (2,290)	5' 10" (1,770)	5' 7" (1,690)	6,283 (2,850)

EQUIPMENT

●: Standard equipment ○: Optional equipment -: Not applicable

ENGINE	ZX690LC-7H
Aftertreatment device	●
Air cleaner double filters	●
Alternator 90 A	●
Auto idle system	●
Auto shut-down control	●
Cartridge-type engine oil filter	●
Cartridge-type fuel main filter	●
ConSite OIL (sensor)*	●
DEF / AdBlue® tank	●
DEF / AdBlue® tank inlet strainer and extension filler	●
Dry-type air filter with evacuator valve (with air filter restriction indicator)	●
Dust-proof net	●
ECO / PWR / HP mode control	●
Electrical fuel feed pump	●
Engine oil drain coupler	●
Expansion tank	●
Fan guard	●
Fuel cooler	●
Fuel pre-filter with water separator	●
Isolation-mounted engine	●
Maintenance free pre-cleaner	○
Radiator, oil cooler and intercooler	●
Reversible fan	●

HYDRAULIC SYSTEM	ZX690LC-7H
Auto power lift	●
AUX function lever (breaker)	○
Attachment pedal	○
Boom mode selector system	●
ConSite OIL (sensor)*	●
Control pattern changer (ISO / BH)	○
Control valve with main relief valve	●
Drain filter	●
Engine speed sensing system	●
Extra port for control valve	●
Hose rupture valve for boom/arm and overload alarm	○
Pilot filter	●
Power boost	●
Shockless valve in pilot circuit	●
Straight travel pedal	○
Suction filter	●
Variable relief valve for breaker and crusher	○
Work mode selector	●

CAB	ZX690LC-7H
All-weather sound suppressed steel cab	●
Auto control air conditioner	●
Bluetooth® integrated radio	●
Console height adjustment	●
Control lever auto-lock	●
CRES VII (center pillar reinforced structure) cab	●
Drink holder with hot and cool function	●
Electric double horn	●
Engine shut-off switch	●
Equipped with reinforced, tinted (green color) glass windows	●
Evacuation hammer	●
Floor mat	●
Footrest	●
Front window washer (2 points)	●
Glove compartment	●
Hands-free calling device	●
Hot and cool box	●
Intermittent windshield wiper	●
Key cylinder light	●
Laminated round glass front window	●
LED room light	●
Magazine rack	●
OPG front guard Level II (ISO10262: 1998) compliant	○
OPG top guard Level I (ISO10262: 1998) compliant	●
OPG top guard Level II (ISO10262: 1998) compliant	○
Pilot shut-off lever	●
Power outlet 12 V and 24 V	●
Push button low idle	●
Rain guard (without OPG front guard)	●
Rear tray	●
Retractable seat belt 3 in. (76 mm)	●
Rubber radio antenna	●
Seat: air suspension seat with heater	●
Seat adjustment part: backrest, armrest, height and angle, slide forward / back	●
Seat belt reminder	●
Short wrist control levers	●
Smartphone holder	●
Sunscreen roller type (multi-use front or side and rear window)	●
Transparent roof with slide curtain	●
USB power supply	●
Wide view wiper	●
Windows on front, upper and lower side can be opened	●
Windows on left side can be opened	●
2 speakers	●
6 fluid-filled elastic mounts	●
8 inch monitor	●

●: Standard equipment ○: Optional equipment -: Not applicable

MONITOR SYSTEM	ZX690LC-7H
Alarm buzzers: overheat, engine oil pressure, overload, SCR system trouble, etc	●
Alarms: overheat, engine warning, engine oil pressure, alternator, minimum fuel level, hydraulic filter restriction, air filter restriction, work mode, overload, SCR system trouble, etc	●
Display of meters: water temperature, hour, fuel rate, clock, DEF / AdBlue® rate, etc	●
Other displays: work mode, auto-idle, glow, rear view monitor, side view monitor, operating conditions, etc	●
35 languages selection	●

LIGHTS	ZX690LC-7H
Additional boom LED light with cover	●
Additional cab roof front LED lights	●
LED lights for camera (side and rear view camera)	●
Rotating lamp	○
3 working LED lights	●

UPPER STRUCTURE	ZX690LC-7H
AERIAL ANGLE (side and rear view camera)	●
Batteries 2 x 147 Ah	●
Body top handrail	●
Counterweight 22,928 lb (10,400 kg)	●
Counterweight removal system	○
Fuel level float	●
Hydraulic oil level gauge	●
Ladder	●
Lockable fuel refilling cap	●
Lockable machine covers	●
Lockable tool box	●
Platform handrail	●
Reinforced under cover	○
Side view mirror (right and left)	●
Sidewalk (cab side)	●
Skid-resistant plates and handrails	●
Swing parking brake	●
Undercover	●
2 way battery disconnect switch	●

UNDERCARRIAGE	ZX690LC-7H
Bolt-on sprocket	●
Reinforced track links with pin seals	●
Shoe: 35" (900 mm) double grouser	●
Track undercover	○
Travel direction mark on track frame	●
Travel motor covers	●
Travel parking brake	●
Upper and lower rollers	●
2 track guard (each side)	●
4 tie down hooks	●

FRONT ATTACHMENTS	ZX690LC-7H
Arm 11' 10" (3.6 m) H	○
Arm 13' 9" (4.2 m) Semilong	●
Boom 25' 7" (7.8 m) H	●
Centralized lubrication system	●
Cylinder hose protectors arm	●
Cylinder hose protectors bucket	●
Damage prevention plate and square bars	●
Dirt seal on all bucket pins	●
Flanged pin	●

ATTACHMENTS	ZX690LC-7H
Accessories for 2 speed selector	○
Auxiliary hydraulic piping	○
Pilot accumulator	●

MISCELLANEOUS	ZX690LC-7H
ConSite	○
Global e-Service	●
Onboard information controller	●
Satellite communication device	○
Standard tool kit	●
Travel alarm	●

Standard and optional equipment may vary by country, so please consult your Hitachi Construction Machinery Americas authorized local dealer for details.

* Engine oil and hydraulic oil monitoring sensor.



HITACHI

Reliable Solutions



REPUTATIONS ARE
BUILT ON IT.

Hitachi Construction Machinery Americas Inc. is a leading provider of construction and mining machinery services and solutions in North and Latin America. Our manufacturing facilities are located in Banshu, Ryugasaki, Tierra, Hitachinaka, and Tsuchiura, Japan, while our U.S. corporate office is in Newnan, Georgia. Our experienced team of professionals is well-equipped to design, engineer, manufacture, and service your machinery.

Through our long-term commitment to maintaining a leadership position in technology, service, and support, we support an extensive network of independent, local dealers focused on providing you with knowledgeable and experienced sales, service, and parts personnel — all backed by our dedicated support teams.

Your Hitachi Construction Machinery Americas authorized local dealer has the resources, expertise, and personnel to work with you to ensure that you receive the most benefit from your investment. You can also utilize carefully designed programs and services in conjunction with extensive digital resources. Our focus is entirely on supporting you, your business, and your machinery.

If you are searching for a reliable partner for your construction machinery needs, we invite you to explore our offerings and experience the difference with Hitachi Construction Machinery Americas.

Machines representative of global product. Options may not be available in all markets. Prior to operating this machine, including satellite communication system, in a country other than a country of its intended use, it may be necessary to make modifications to it so that it complies with the local regulatory standards (including safety standards) and legal requirements of that particular country. Please do not export or operate this machine outside the country of its intended use until such compliance has been confirmed. Please contact your Hitachi Construction Machinery Americas authorized local dealer in case of questions about compliance. These specifications are subject to change without notice. Illustrations and photos show the standard models, and may or may not include optional equipment, accessories, and all standard equipment with some differences in color and features. Before use, read and understand the Operator's Manual for proper operation.